

# CARPET BLOWER



## CARPET BLOWER

Commonly used as an air mover to speed up the process for drying carpets, it can also be used for drying floor finishes and flood damaged areas.

- Available in **BLUE** and **RED**
- 900 watt
- 240V - 1.2 HP
- 3.75 amp
- Extension handle and wheels for easy transport
- 3 Speeds
- Carpet Clamp
- Stackable for convenient storage

Noise level:  
65 dBa

Cubic Metres per/min	Cubic Feet per/min	Speed
160	5650	HIGH
130	4591	MEDIUM
110	3885	LOW

Part No:  BLUE PLT QTY = 16

Part No:  RED PLT QTY = 16

### PARTS

PARTS BREAKDOWN ON FOLLOWING PAGE



HW-900-15  
900 Watt  
Motor



HW-900-16  
Motor Insulation  
Rubber



HW-900-17  
Motor Insulation  
Rubber



HW-900-26  
Square Switch



HW-900-28  
Switch Shift  
Mark



HW-900-29  
Switch Knob



HW-900-HANDLE  
Pull-Up Handle



HW-900-HOLDER  
Holder for Pull-Up  
Handle

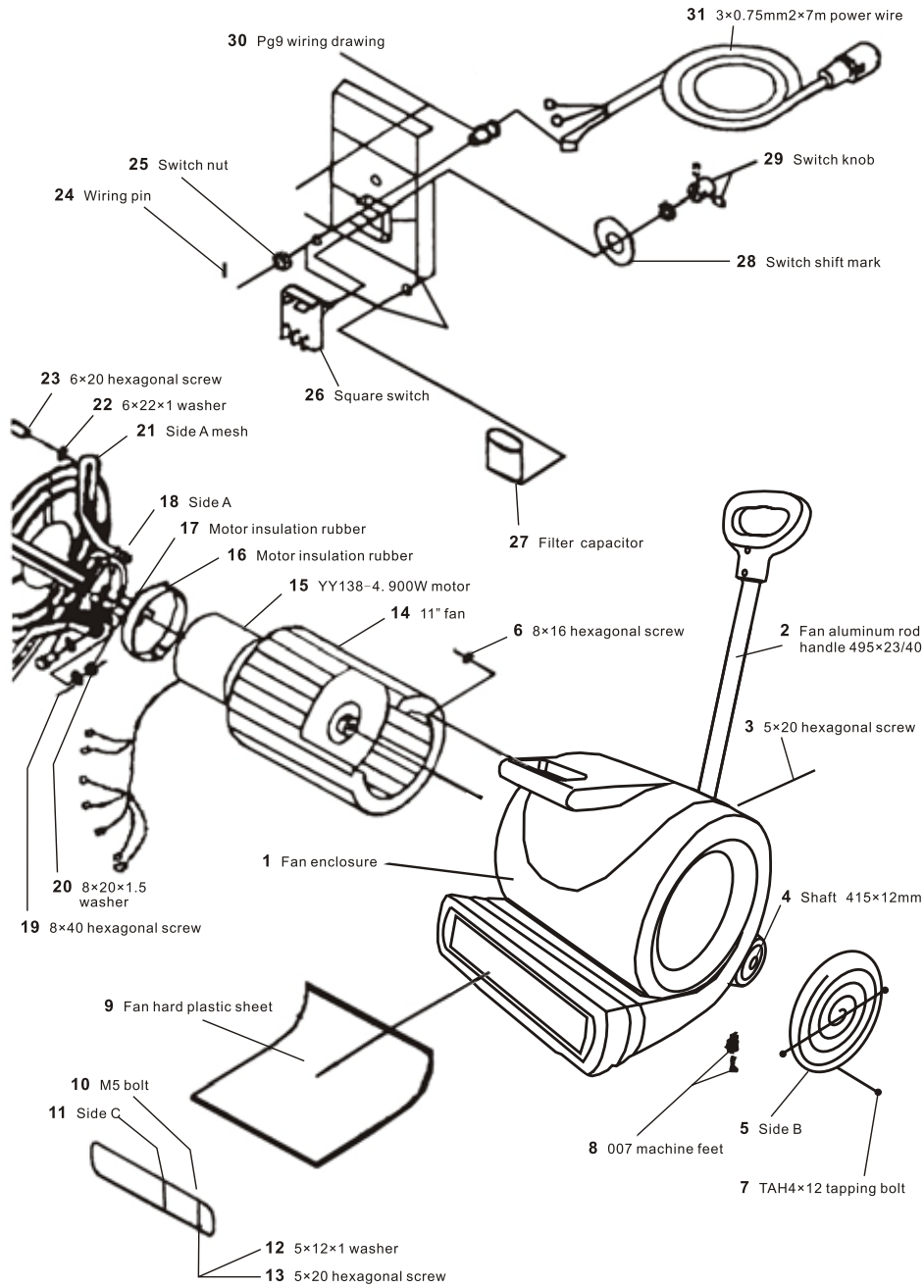


HW-900-WHEEL  
Single Wheel



HW-900-27  
Filter Capacitor

# Product Drawing and Materials List



## **BLOWER CIRCUIT DIAGRAM**

YYF750

YY138-4

